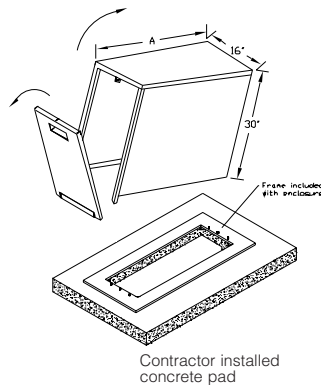


Front Entry Enclosure

	"A" Width	Height	Depth
SBBC-22AL	22"	30"	16"
SBBC-30AL	30"	30"	16"
SBBC-45AL	45"	30"	16"
SBBC-52AL	52"	30"	22"
SBBC-60AL	60"	30"	16"

Note: For inside dimensions, see Backflow Cover Sizing Chart on pages 26-27.

- Marine grade aluminum
- Stainless steel hardware
- Flush-mounted locking system accepts padlock
- 5 year limited warranty



SPECIFICATIONS ON PAGE 28

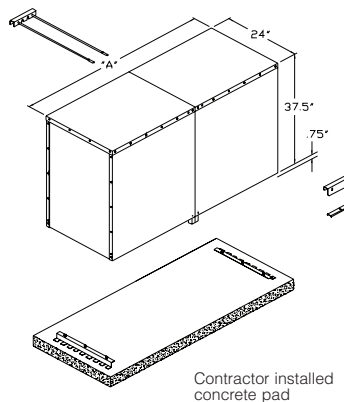
Clamshell Entry Two Piece Enclosure

	"A" Width	Height	Depth
SBBC-40ALHP	40"	39"	24"
SBBC-60ALHP	60"	39"	24"
SBBC-75ALHP	75"	39"	24"
SBBC-90ALHP	90"	39"	24"

Note: For inside dimensions, see Backflow Cover Sizing Chart on pages 26-27.

	"A" Width	Height	Depth
PE-40AL	40"	39"	38"
PE-60AL	60"	39"	38"
SBBC-40WALHP	40"	39"	28"

- Marine grade aluminum
- Stainless steel hardware
- Patented locking system accepts padlock
- 5 year limited warranty

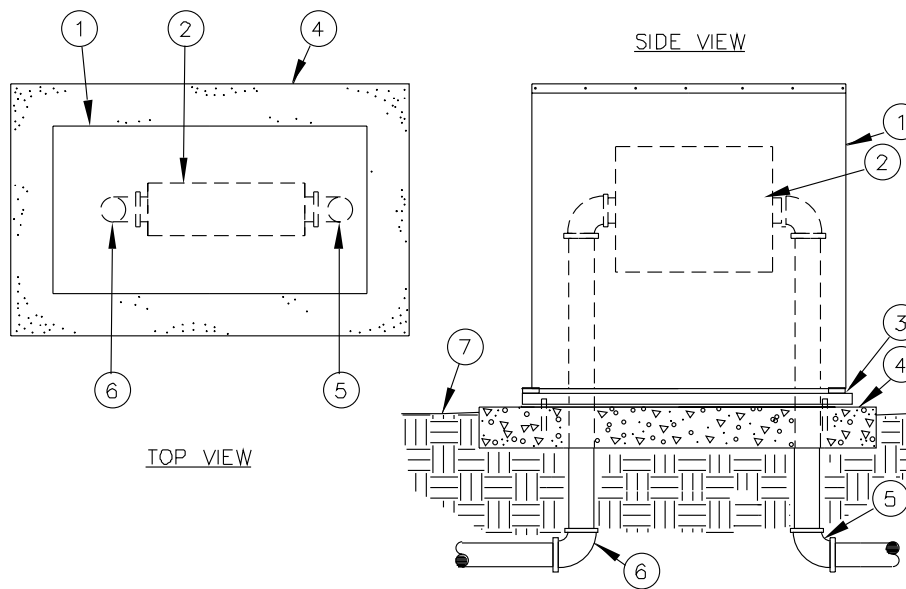


SPECIFICATIONS ON PAGE 29

FRONT ENTRY ENCLOSURE

INSTALLATION DETAILS

**MODELS: SBBC-22AL, SBBC-30AL,
SBBC-45AL, SBBC-52AL, SBBC-60AL**



1. Aluminum Backflow Enclosure
2. Backflow Preventer
3. Framed Mounting Base – powder coated polymer with anchors inset for enclosure and anchor bolt for concrete
4. Poured Concrete Base – 6" minimum thickness – extend 4" beyond outside dimensions of enclosure
5. Water Service Inlet Piping
6. Water Service Outlet Piping
7. Finish Grade

SPECIFICATIONS

This backflow enclosure is a vandal and weather resistant enclosure formed entirely of marine grade 5052-H32 aluminum alloy, with a wall thickness of 1/8 inch. The main housing is a solid sheet construction with stainless steel carriage bolts used for

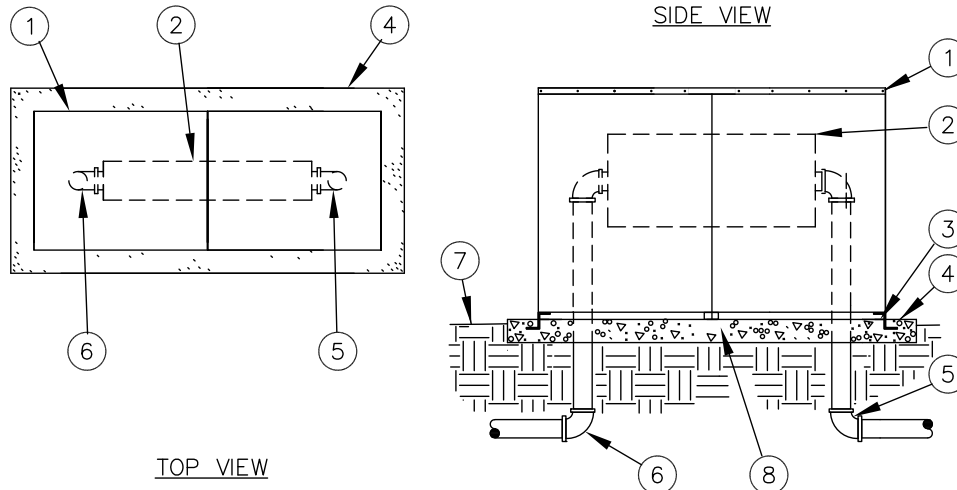
assembling enclosure top and ends. The mounting base plate is formed of powder coated stainless steel and is mounted flush with the concrete surface using supplied L-bolt anchors. The enclosure door drops down and the body lifts open, pivoting from the back edge. The

enclosure stays secured to the mounting base plate in open and closed positions with hidden stainless steel hardware. The enclosure door includes a recessed handle and provisions for a padlock. This enclosure has an ASSE 1060 Class III rating.

CLAMSHELL ENTRY ENCLOSURE

INSTALLATION DETAILS

**MODELS: SBBC-40ALHP, SBBC-60ALHP,
SBBC-75ALHP, SBBC-90ALHP
PE-40AL, PE-60AL, SBBC-40WALHP**



1. Aluminum Enclosure
2. Backflow Preventer/ Pump
3. Anchor Rake Brace
4. Poured Concrete Base – 6” minimum thickness – extend 4” beyond outside dimensions of enclosure

5. Water Service Inlet Piping
6. Water Service Outlet Piping
7. Finish Grade
8. Enclosure Foot

SPECIFICATIONS

This pump enclosure is a vandal and weather resistant enclosure formed entirely of marine grade 5052-H32 aluminum alloy, with a wall thickness of 1/8 inch. The main housing is a solid sheet construction punched on the sides with a rectangular pattern

for ventilation. The mounting base plate is formed of powder coated stainless steel and secured with provided anchor plates into wet concrete or anchor bolts a minimum of 2 inches deep into cured concrete. The center split design allows enclosure sides

to swing out, pivoting on the mounting hardware at each end. The full release locking mechanism is a stainless steel cross bar that includes provisions for a padlock. This enclosure has an ASSE 1060 Class III rating.